



TECHNICAL DATA

SK-1300
SK-1310
SK-1320

AIR-SYSTEM
SOCKETS

These sockets have been designed for use with the tube types listed below. The SK-1300 and the SK-1320 are intended for mounting on a pressurized chassis or plenum, allowing air-cooling of the tube base and terminals.

BASE CONNECTIONS

All these sockets are provided with three concentric rings of spring contact fingers for making contact to the filament and the grid of the coaxial triodes listed below.

The filament contact fingers are terminated on two bus connections to insure good high frequency current distribution. Each of these two bus rings is provided with two lugs for making external connections.

The grid spring-finger contacts are terminated on a heavy support assembly. The grid contact assembly is insulated from the socket mounting cup in the SK-1300; it is grounded to the cup in the SK-1320, for grounded-grid operation. The SK-1310 is a version intended for use with vapor-cooled versions of these coaxial triodes and has no grounded contacts.

MATERIALS AND FINISHES

The contact fingers are non-ferrous spring alloy, heat-treated for positive spring action and silver-plated for good rf conductivity. The main socket body and cup assemblies are made of brass and are also silver plated.

INSTALLATION

The SK-1300 and SK-1320 are supported by the socket cup on a pressurized compartment or chassis. A 7-1/8 inch diameter hole is required in the supporting chassis or plenum and the socket is secured by eight #6 machine screws on a 7-3/4 inch pitch circle. The socket cup on both these sockets is open so that air may be directed through them for cooling of the tube base terminals.

The SK-1310, which is designed for use on vapor-cooled versions of these tubes, has no mounting/support cup; it is held into place on the base of the tube only by its contact finger assemblies for the grid and filament.



SK-1300



SK-1310



SK-1320

(Revised 3-1-72) © 1963, 1966, 1972 Varian

Printed in U.S.A.

SK-1300/SK-1310/SK-1320

CHIMNEY

A companion Air-Chimney, the SK-1306, is available for use with the SK-1300 and SK-1320 and some of the air-cooled triode types, as listed below. The chimney is mounted above the chassis deck and is installed using the same eight mounting screws used for securing the socket to the chassis or deck.

Use of an Air-Chimney allows simplified cooling of the tube; air forced through the socket is directed through the chimney and then through the tube's anode cooling fins.

SOCKET/CHIMNEY/TUBE TYPE GUIDE

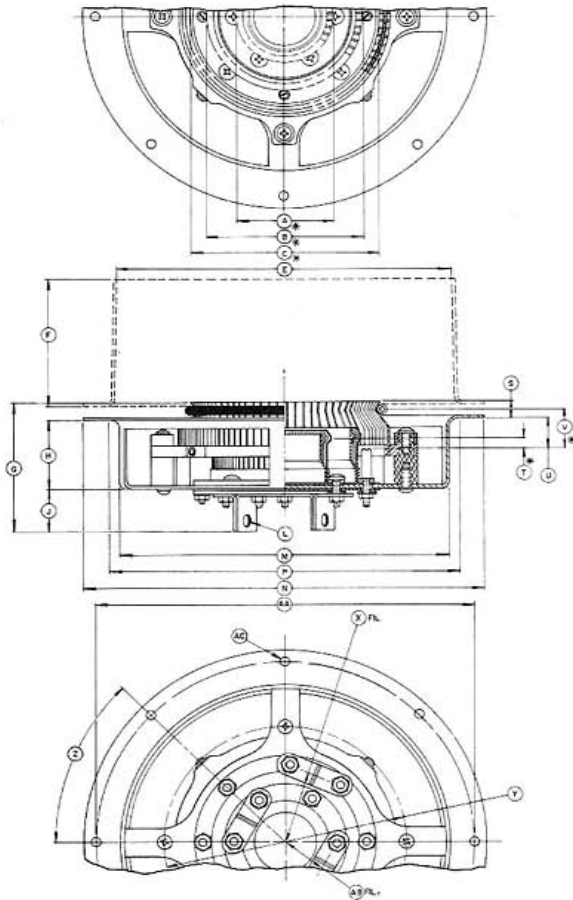
SOCKET	TUBE TYPE NUMBER	RECOMMENDED AIR CHIMNEY
SK-1300 and SK-1320	3CW10,000A3	none - water cooled tube
	3CW20,000A1	none - water cooled tube
	3CW20,000A3	none - water cooled tube
	3CW20,000A7	none - water cooled tube
	3CW25,000A3	none - water cooled tube
	3CX5000A3	special - EIMAC Y-463
	3CX10,000A1/8158	SK-1306
	3CX10,000A3/8159	SK-1306
	3CX10,000A7/8160	SK-1306
	3CX15,000A3	SK-1306
3CX20,000A3	none available	
SK-1310	3CV30,000A1	none - vapor cooled tube
	3CV30,000A3	none - vapor cooled tube

NET WEIGHTS

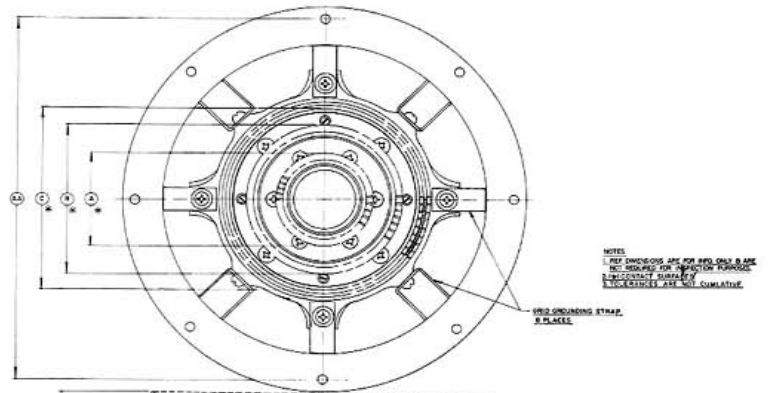
SK-1300, SK-1310, SK-1320 2.3 lbs; 1.04 kg

DIM.	INCHES			MILLIMETERS		
	MIN.	MAX.	REF.	MIN.	MAX.	REF.
A	1.990	2.070	--	50.55	52.58	--
B	3.240	3.320	--	82.30	84.33	--
C	3.700	3.770	--	93.98	95.76	--
E	7.030	7.125	--	178.56	180.97	--
F	3.590	3.690	--	91.19	93.73	--
G	2.710	2.835	--	68.83	72.01	--
H	1.440	1.530	--	36.58	38.86	--
J	0.890	0.960	--	22.61	24.38	--
L	0.235	0.265	--	5.97	6.73	--
M	6.720	6.780	--	170.69	172.21	--
N	8.220	8.280	--	208.79	210.31	--
P	7.060	7.190	--	179.32	182.63	--
S	0.270	0.395	--	6.86	10.03	--
T	0.185	0.285	--	4.70	7.24	--
U	0.580	0.700	--	14.73	17.78	--
V	0.760	0.865	--	19.30	21.97	--
X	1.500	1.620	--	38.10	41.15	--
Y	4.970	5.030	--	126.24	127.76	--
Z	43°	47°	--	43°	47°	--
AA	7.730	7.770	--	196.34	197.36	--
AB	0.860	0.980	--	21.84	24.89	--
AC	0.140	0.154	--	3.56	3.91	--

NOTES:
 1. REF DIMS ARE FOR INFO ONLY AND ARE NOT REQD. FOR INSPECTION PURPOSES.
 2. EN CONTACT SURFACES.
 3. TOLERANCES ARE NOT CUMULATIVE.

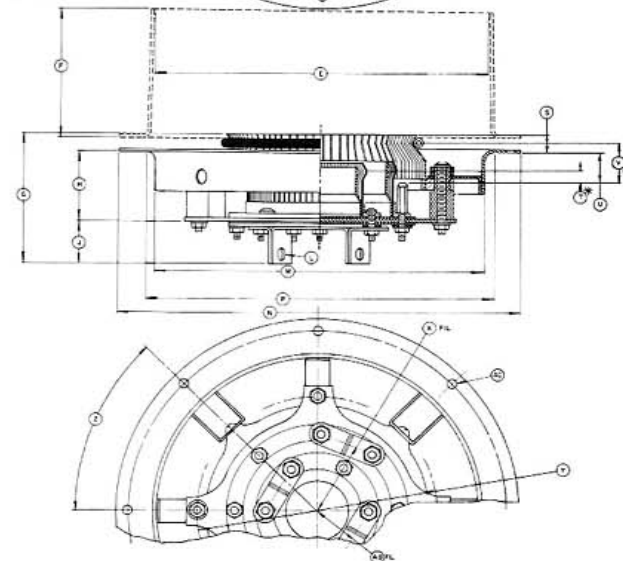


SK-1300

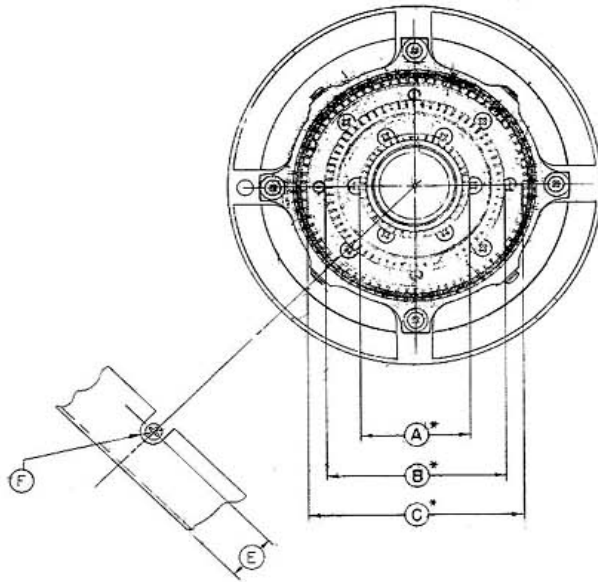


DIM.	INCHES			MILLIMETERS		
	MIN.	MAX.	REF.	MIN.	MAX.	REF.
A	1.990	2.070	--	50.55	52.58	--
B	3.240	3.320	--	82.30	84.33	--
C	3.700	3.770	--	93.98	95.76	--
E	7.030	7.125	--	178.56	180.97	--
F	3.590	3.690	--	91.19	93.73	--
G	2.710	2.835	--	68.83	72.01	--
H	1.440	1.530	--	36.58	38.86	--
J	0.890	0.960	--	22.61	24.38	--
L	0.235	0.265	--	5.97	6.73	--
M	6.720	6.780	--	170.69	172.21	--
N	8.220	8.280	--	208.79	210.31	--
P	7.060	7.190	--	179.32	182.63	--
S	0.270	0.395	--	6.86	10.03	--
T	0.185	0.285	--	4.70	7.24	--
U	0.580	0.700	--	14.73	17.78	--
V	0.760	0.865	--	19.30	21.97	--
X	1.500	1.620	--	38.10	41.15	--
Y	4.970	5.030	--	126.24	127.76	--
Z	43°	47°	--	43°	47°	--
AA	7.730	7.770	--	196.34	197.36	--
AB	0.860	0.980	--	21.84	24.89	--
AC	0.140	0.154	--	3.56	3.91	--

SK-1320

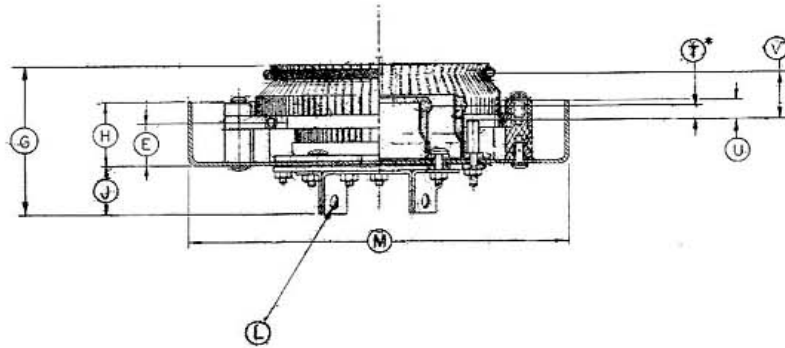


SK-1300/SK-1310/SK-1320



DIM.	INCHES			MILLIMETERS		
	MAX.	MIN.	REF.	MIN.	MAX.	REF.
A	2.061	2.001	--	50.82	52.35	--
B	3.311	3.251	--	82.57	84.10	--
C	3.732	3.672	--	93.27	94.79	--
D	5.030	4.970	--	126.24	127.76	--
E	0.890	0.890	--	21.84	22.61	--
F	0.287	0.233	--	5.92	5.79	--
G	2.835	2.790	--	68.83	72.01	--
H	1.187	1.156	--	29.36	30.15	--
J	0.960	0.890	--	22.61	24.38	--
K	6-32 NC					
L	1/4 DIA HOLE			6.35 DIA HOLE		
M	6.780	6.720	--	170.69	172.21	--
N	0.990	0.860	--	21.84	24.89	--
P	4.690	4.620	--	117.35	119.13	--
S	1.630	1.500	--	38.10	41.15	--
T	0.285	0.185	--	4.70	7.24	--
U	0.314	0.280	--	7.11	7.97	--
V	0.856	0.826	--	20.98	21.74	--
W	47°	43°	--	43°	47°	--

SK-1310



- NOTES:
 1. ALL DIMENSIONS ARE IN INCHES.
 2. TOLERANCES ARE NOT CUMULATIVE.
 * 3. CONTACT SURFACES.

